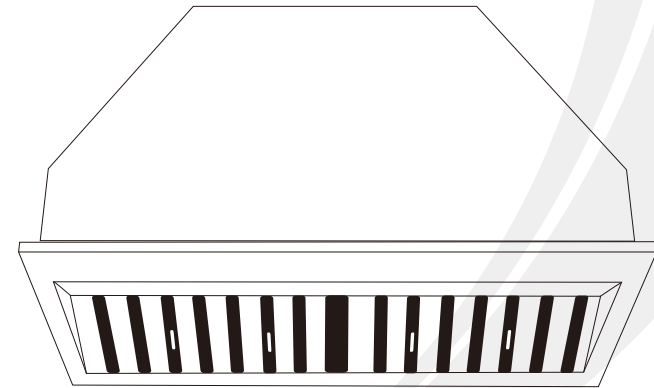


FIREGAS

INSTALLATION AND USER'S MANUAL



FGS-USB19G70BC
FGS-USB23G70CC

FIREGAS

Thanks for reading.
We wish you a lot of fun cooking

IMPORTANT NOTICE:
Read and save these instructions.
Installer: Leave this guide with the homeowner.
Homeowner: Keep this guide for future reference.



www.firegaskitchen.com

CONTENT

Introduction	2
Safety Precaution	2
Parts Diagram.....	3
Installation Instructions.....	3-4
Air Outlet Installation Method.....	5
Installation.....	5-8
Operation	8-9
Maintenance	10-11
Trouble-Shooting	12
Environmental Protection	12

NOTE:

You can also watch the installation video from **Support > Installation Guide** by visiting our website: **www.firegaskitchen.com**
We will update at any time, please visit the website for more information.

Introduction

Thank you for choosing this cooker hood.

- This instruction manual is designed to provide you with all required instructions related to the installation, use and maintenance of the appliance.
- In order to operate the unit correctly and safely, please read this instruction manual carefully before installation and usage.

Safety Precaution

- Never let the children operate the machine.
- The cooker hood is for home use only, not suitable for barbecue, roast shop and other commercial purpose.
- Clean the cooker hood according to the instruction manual and keep the unit from danger of burning. There is a fire risk if cleaning is not carried out in accordance with the instructions.
- Please keep the kitchen room with good ventilation before connecting this appliance; please check that the power supply cord is undamaged. A damaged supply cord must be replaced by qualified service personnel only.
- Regulations concerning the discharge of air have to be fulfilled.
- This appliance can be used by children aged from 8 years and above also the persons with reduced physical, sensory or mental capabilities or lack of experience and knowledge if they have been given supervision or instruction concerning use of the appliance in a safe way and understand the hazards involved. Children shall not play with the appliance. Cleaning and user maintenance shall not be made by children without supervision.
- If the supply cord is damaged, it must be replaced by the manufacturer, its service agent or similarly qualified persons in order to avoid a hazard.

CAUTION:

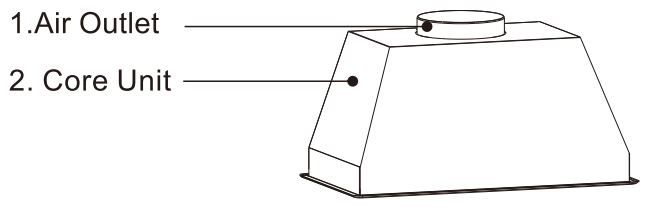
Accessible parts may become hot when used with cooking appliance.

Electrical Shock Hazard

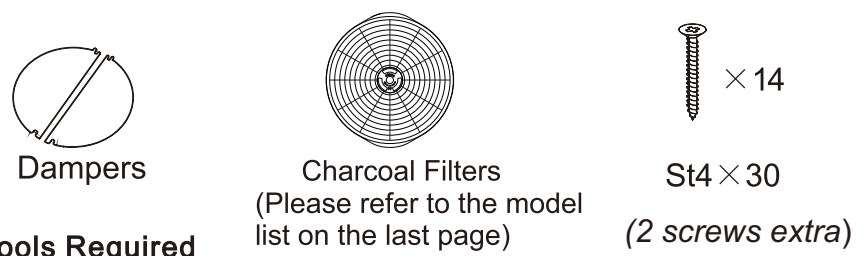
Only plug this unit into a properly earthed outlet.

If you have doubts, seek advice from a suitably qualified engineer.

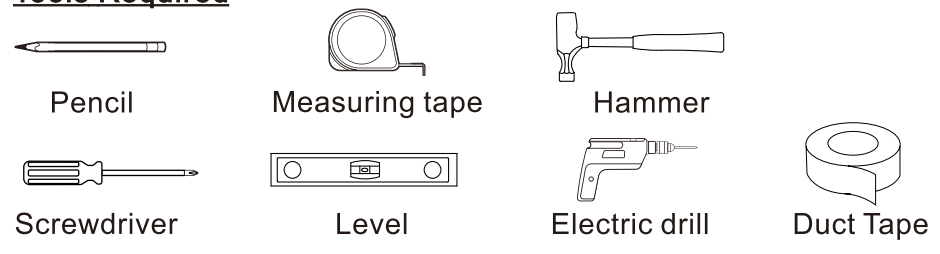
Parts Diagram



Parts Supplied

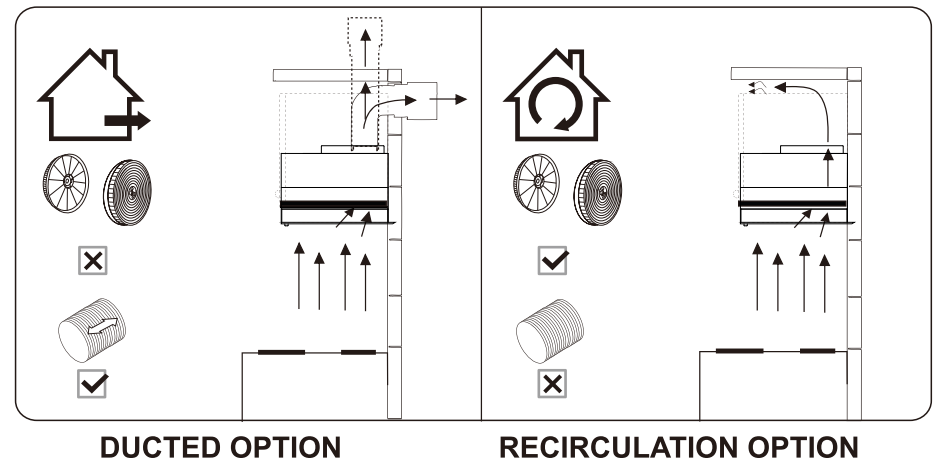


Tools Required



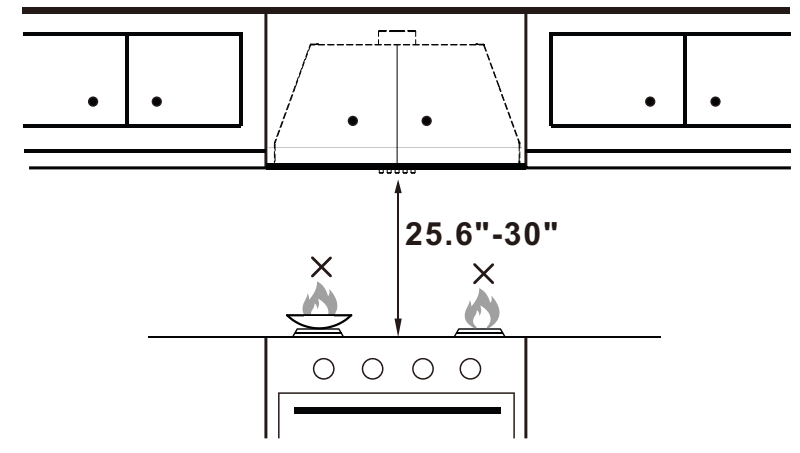
Installation Instructions

Preparation for installation:



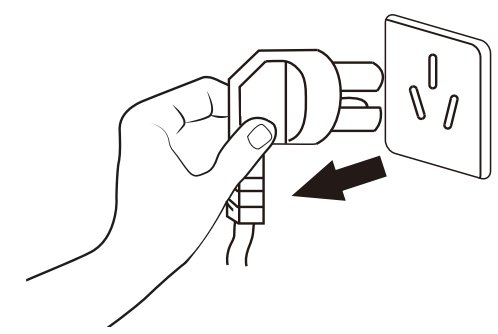
a. If you have an outlet to the outside, your cooker hood can be connected as above picture by means of a pipe (with an interior diameter of 150mm). If you don't have an outlet to the outside, you can go with recirculation mode by using charcoal filters.

Installation Requirements



The cooker hood should be placed at a distance of 25.6"-30" above the cooktop for the best effect.

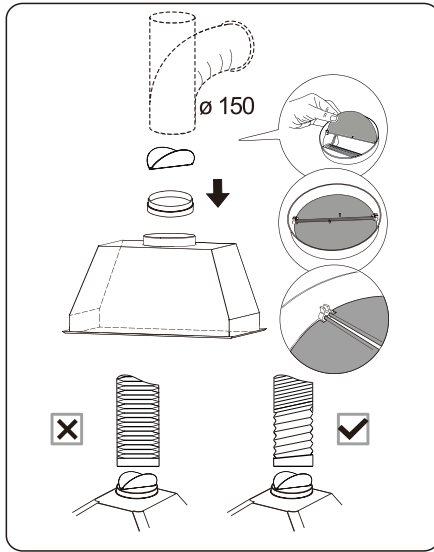
Note No open flames directly approach to the range hood.



Before installation, turn the unit off and unplug it from the outlet.

Note: The power cord is 43 in . It is not recommended that user replace the power cord or cut the power cord.

Air Outlet Installation Method



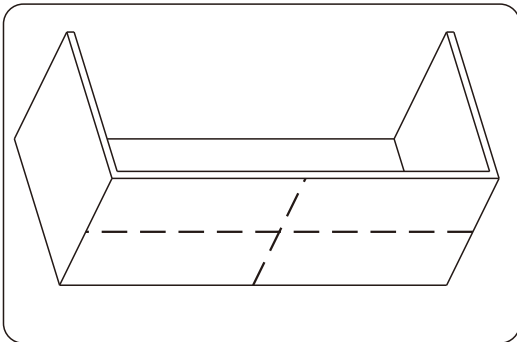
Installation method for 150mm diameter pipe: insert the one-way-valve as the pic and fix the pipe.

Attention: The bump of the one-way-valve must be upward.

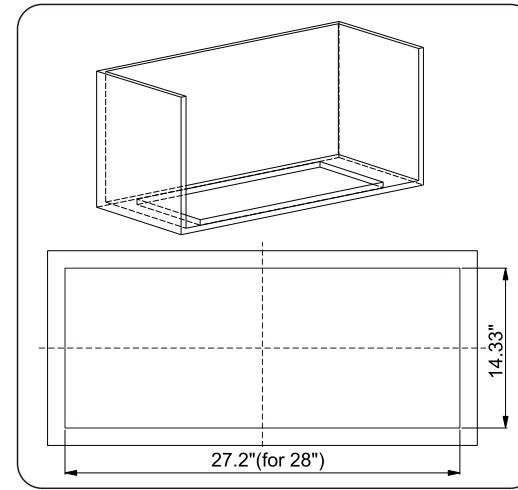
Installation

Note Please connect the power supply to test and confirm that the power is on before installing this Built-in or Insert range hood.

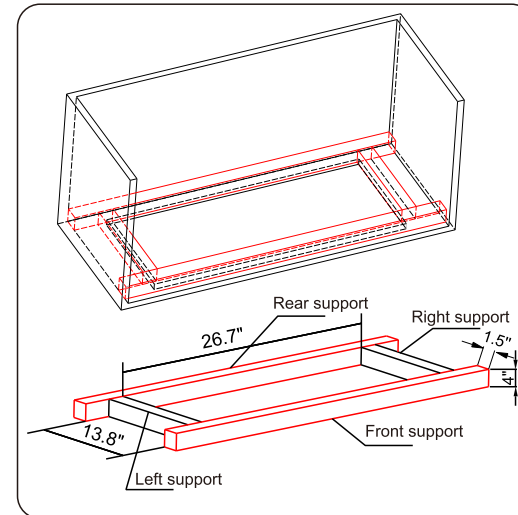
Refer to the installation instructions:



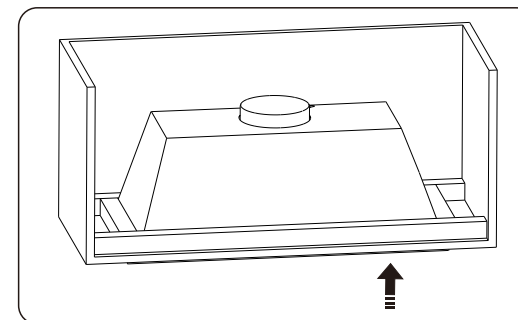
Determine and mark the horizontal line and perpendicular line on the base of the cabinet.



Cut out the opening where the insert will be installed.

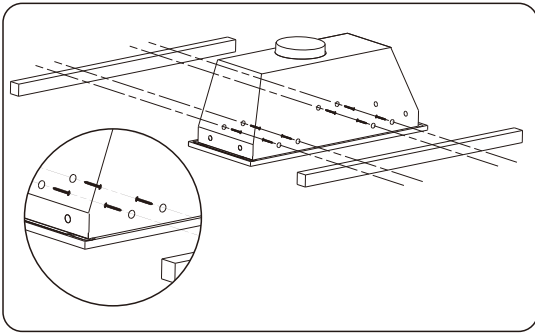


The hood has to be installed inside the cabinet. It should be installed a front and rear stud support. It would be better if there is space enough for installed the left and right support.

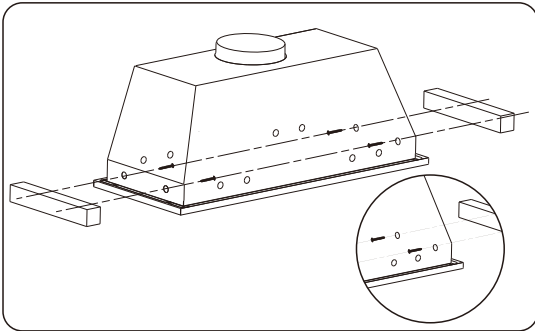


Determine and make all necessary cuts in the wall or ceiling for the ductwork.

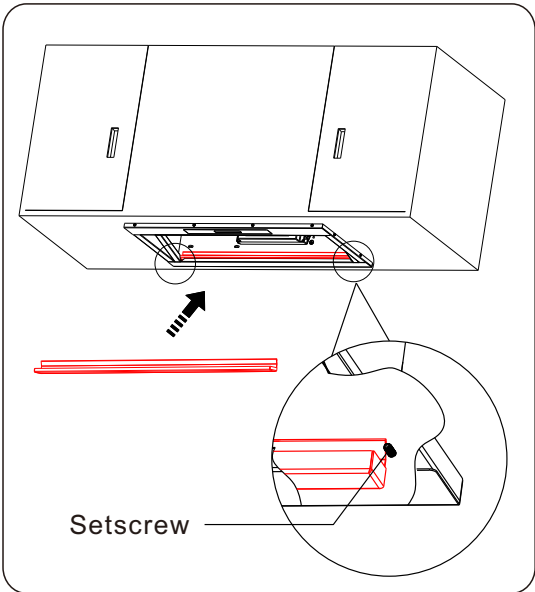
Note Install the duct work before installing the insert.



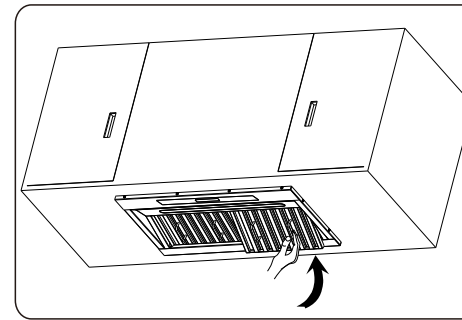
In front and rear side have 8 holes, secure the range hood using the 4X30 screws (8 pcs) .



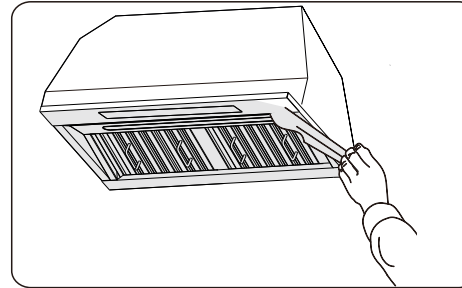
In left and right side have 4 holes, secure the range hood using the 4X30 screws (4 pcs) .



After the main unit installed, we need to install the internal oil cup as per pic shows. (PS: There are 2 setscrews on both side)



Install the both baffle filters. Installation finished.



⚠ CAUTION:
BEFORE USE
Please remove the white/blue protective film on the range hood.

Operation



A



B



C



D



E



High Speed Button



Light Button



Medium Speed Button



OFF Button



Low Speed Button

Operating the Light

The Light On/Off button (A) controls both lights. Press once for on and again for off.

Operating the Blower

The Blower Speed buttons (B, C, and D) set the desired speed and control the sound level for quiet operation. The speed can be changed anytime during fan operation by pressing the desired blower speed button. The Blower Off button (E) turns the blower off.

1. To turn the blower on, press the desired Blower Speed button (B, C, or D).
2. To turn the blower off,
 - press the Blower Off button (E) once to delay turn off by 1 minute.
 - press the Blower Off button (E) twice to turn off immediately.



1、 Connect power function :

Power on, all key indicators light up for 1 second and then turn off. Machine access into shutdown mode.

2、 ON/OFF function :

Press the "ON/OFF" key for accessing into standby mode, after 1 minute without operating the function keys or press again this key, machine will enter to the off mode.

3、 Delay function :

When the motor in running, press the ON/OFF button one time to enter "1-minute shutdown mode". During the countdown you can switch the speeds and press again can shutdown the machine directly.

4、 Lighting function :

Press "Light key" to turn on/off LED light.

5、 Timer function :

(1) Delay shut down: when the motor is in running state, press "⏸" to enter "shutdown mode" default time is 3 minutes. Press again to adjust the shutdown time (1-60 minutes). After 10 seconds without operation, the timer start countdown;

(2) Clock setting: when machine is power on, press this key for one second to enter the clock setting, and press "⏸" to adjust "hour" and press "⏪" to adjust "minutes". Press the timer key again or after 10 seconds without operation, clock will be confirmed automatically.

6、 Motor function :

(1). Press "🌀" after connect to the power, display shows "F3", motor running at high speed; Press this key again, Motor stops running.

(2). Press "⏸" display show "F3"; Press "⏪" display show "F1"

(3). During motor is running, press "⏸" or "⏪" to adjust increase or decrease speeds

6、 Gesture function :

(1)-. In shut down mode, hand waved left to right for the first time - Chimney starts at low speed and light on; hand waved left to right for the second time - chimney speed changes to medium speed; hand waved left to right for the third time - chimney speed changes to high speed.

(2). During machine is running, hand waved right to left for the first time - to enter "3 minutes count down"; Hand waved right to left again- machine off.

Maintenance

Before cleaning turn the unit off and pull out the plug.

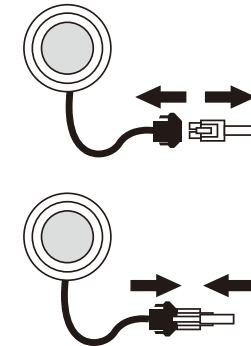
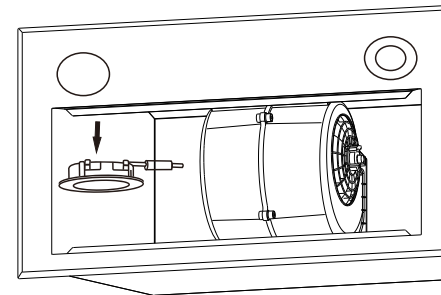
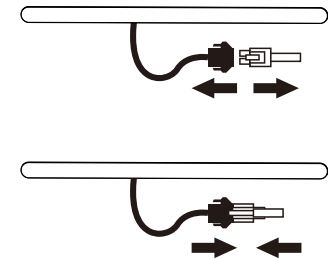
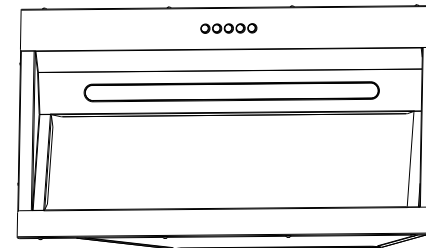
I. Regular Cleaning

Use a soft cloth moistened with hand-warm mildly soapy water or household cleaning detergent. Never use metal pads, chemical, abrasive material or stiff brush to clean the unit.

II. LED Light Replacement

Turn the unit off and unplug the appliance.

CAUTION: LAMP UNIT MAY BE HOT!
WAIT UNTIL THE UNIT IS COOL. BEFORE attempting to replace the LED lamps make sure the unit is powered off and UNPLUGGED.

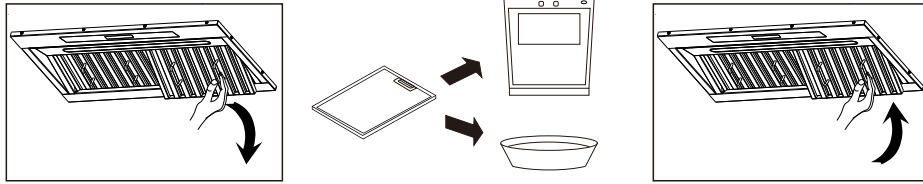


III. Filter replacement

Clean the filters once a month by hand or in a dishwasher (30 °C). Do not use any acid or corrosive detergents. Do not use any abrasive detergents! Do not use anyalkaline dishwasher-detergents! (pH more than 7). Do not put the filter in the dishwasher together with tableware. Filters which are blocked with food debris do not carry a guarantee. Dry the filters properly before you reinstall them.



1 MONTHS



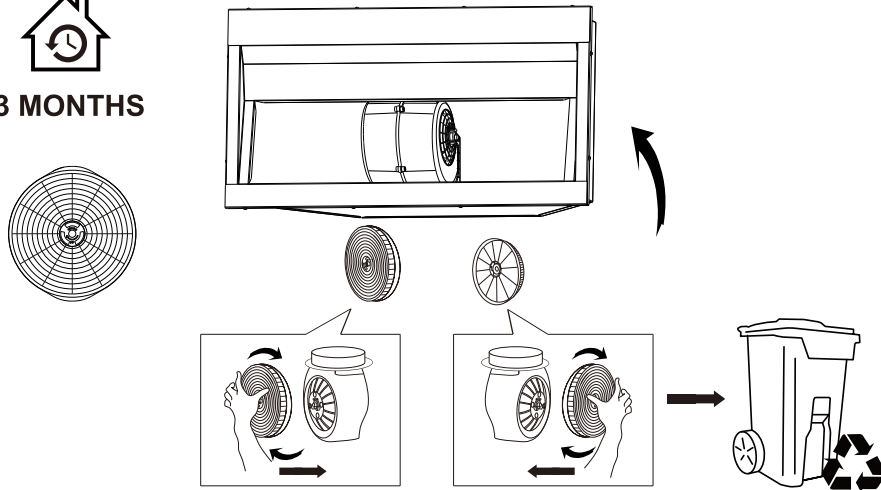
MAX.65 C

VI. Charcoal filters life time: Suggest changing to new one every 3 months (According to different kitchen condition, the life time of charcoal filters might be longer or shorter than 3 months).

Installation: Fix charcoal filters into the unit and turn it in as below picture shows. Repeat the same on the other side.



3 MONTHS



Important Notice:

1. Make sure the filter is securely locked. Otherwise, it would loosen and cause abnormal noise and danger.
2. Using charcoal filters would reduce the air flow of the range hood.

Trouble-Shooting

Fault	Cause	Solution
Light on, but fan does not work	The fan blade is jammed.	Switch off the unit and repair by qualified service personnel only.
	The motor is damaged.	
Both light and fan do not work	Light is burnt out.	Replace the LED light with correct rating.
	Power cord is loose.	Plug into the power supply again.
Serious Vibration of the unit	The fan blade is damaged.	Switch off the unit and repair by qualified service personnel only.
	The fan motor is not fixed tightly.	
	The unit is not hung properly on the bracket.	Take down the unit and check whether the bracket is in proper location.
Suction performance not good	Too far distance between the unit and the cooktop.	Readjust the distance between 25.6"-30".

Environmental Protection

1. While unpacking, the packaging materials (polythene bags, polystyrene pieces, etc.) should be kept away from children. CHOKING HAZARD!
2. Old and unused appliances must be sent for disposal to the responsible recycling centre. Never expose to open flames.
3. Before you dispose of an old appliance, render it inoperative. Unplug the appliance and cut off the entire power cord. Dispose of the power cord and the plug immediately.
4. Dispose of any paper and cardboard into the corresponding containers.
5. Dispose of any plastics into the corresponding containers.
6. If suitable containers are not available at your residential area, dispose of these materials at a suitable municipal collection point for waste-recycling.
7. Receive more detailed information from your retailer or your municipal facilities.



Materials marked with this symbol are recyclable. Please contact your local authorities to receive further information.



Statement

Thank you for purchasing this product. FIREGAS is committed to providing our customers with professional quality kitchen ventilation. This document is designed to act as a quick reference guide for common scenarios and questions when installing a FIREGAS cooker Hood. for more instructions and details please refer to Installation Guide from www.firegaskitchen.com

Customer Service

If there is a problem with the cooker hood, you can contact customer service for a solution.

Email: support01@firegaskitchen.com

Website: www.firegaskitchen.com

Warranty

For full warranty details on this product please visit: www.firegaskitchen.com
Support > Warranty Registration

Product	Model

Sr. No. of Product

Cash memo no./ Date of Sale

Name & Address / Stamp of Dealer

Signature of Dealer

Model List

Range Hood Model No.	Charcoal Filter Model No.:
FGS-USB19G70BC FGS-USB23G70CC	CC170