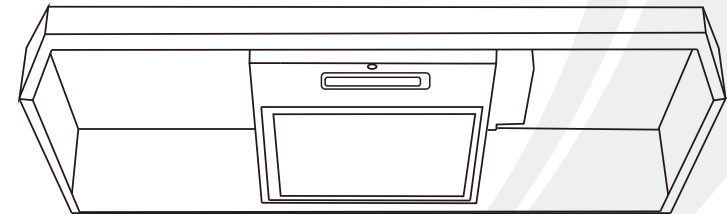


FIREGAS

Thanks for reading.
We wish you a lot of fun cooking

FIREGAS

INSTALLATION AND USER'S MANUAL



**FGS-UWF39A575AC
FGS-USF39A575AC
FGS-UBF39A575AC**

IMPORTANT NOTICE:
Read and save these instructions.
Installer: Leave this guide with the homeowner.
Homeowner: Keep this guide for future reference.



www.firegaskitchen.com

CONTENT

<i>Introduction</i>	2
<i>Safety Precaution</i>	2
<i>Parts Diagram</i>	3-4
<i>Installation Instructions</i>	4-5
<i>Installation</i>	6-8
<i>Operation</i>	8
<i>Maintenance</i>	9-10
<i>Trouble-Shooting</i>	11
<i>Environmental Protection</i>	11

NOTE:
You can also watch the installation video from **Support > Installation Guide** by visiting our website: www.firegaskitchen.com
We will update at any time, please visit the website for more information.

Introduction

Thank you for choosing this range hood.

- This instruction manual is designed to provide you with all required instructions related to the installation, use and maintenance of the appliance.
- In order to operate the unit correctly and safely, please read this instruction manual carefully before installation and usage.

Safety Precaution

- Never let the children operate the machine.
- The range hood is for home use only, not suitable for barbecue, roast shop and other commercial purpose.
- Clean the range hood according to the instruction manual and keep the unit from danger of burning. There is a fire risk if cleaning is not carried out in accordance with the instructions.
- Please keep the kitchen room a good convection before connecting this appliance; Please check that the power supply cord is undamaged. A damaged supply cord must be replaced by qualified service personnel only.
- Regulations concerning the discharge of air have to be fulfilled.
- This appliance can be used by children aged from 8 years and above also the persons with reduced physical, sensory or mental capabilities or lack of experience and knowledge if they have been given supervision or instruction concerning use of the appliance in a safe way and understand the hazards involved. Children shall not play with the appliance. Cleaning and user maintenance shall not be made by children without supervision.
- If the supply cord is damaged, it must be replaced by the manufacturer, its service agent or similarly qualified persons in order to avoid a hazard.

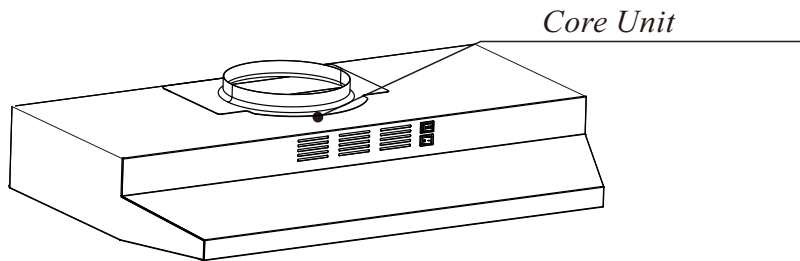
CAUTION:

Accessible parts may become hot when used with cooking appliance.

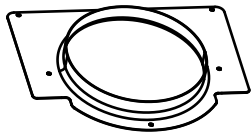
Electrical Shock Hazard

Only plug this unit into a properly earthed outlet.
If you have doubts, seek advice from a suitably qualified engineer.

Parts Diagram



Parts Supplied



Air Outlet

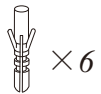


Recirculation Sheet :
 1. If you choose ventilation mode must need to install this sheet.
 2. If you choose recirculation mode, please make sure to NOT install this sheet into the body.



×6

St4×30



×6

φ 8×35



×6

St4×16



×8

St4×6

(2 screws extra)

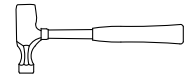
Tools Required



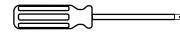
Pencil



Measuring tape



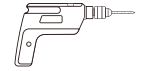
Hammer



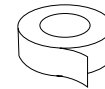
Screwdriver



Level



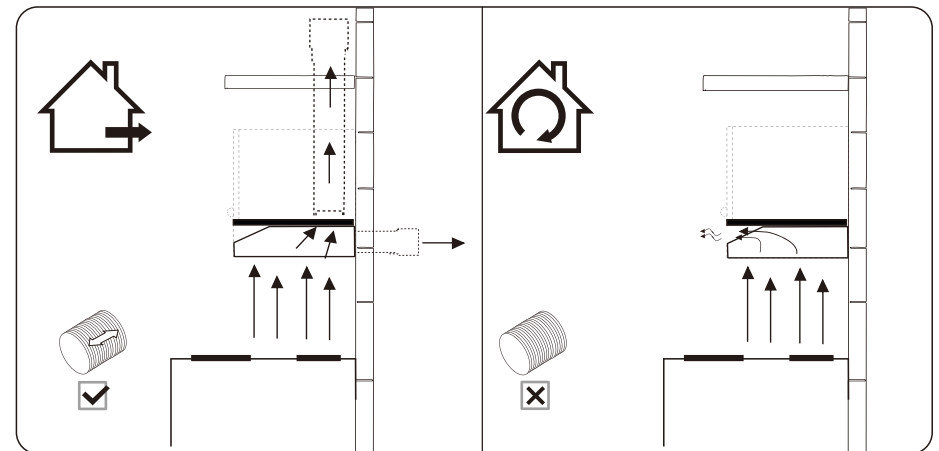
Electric drill



Duct Tape

Installation Instructions

Prepare for installation:

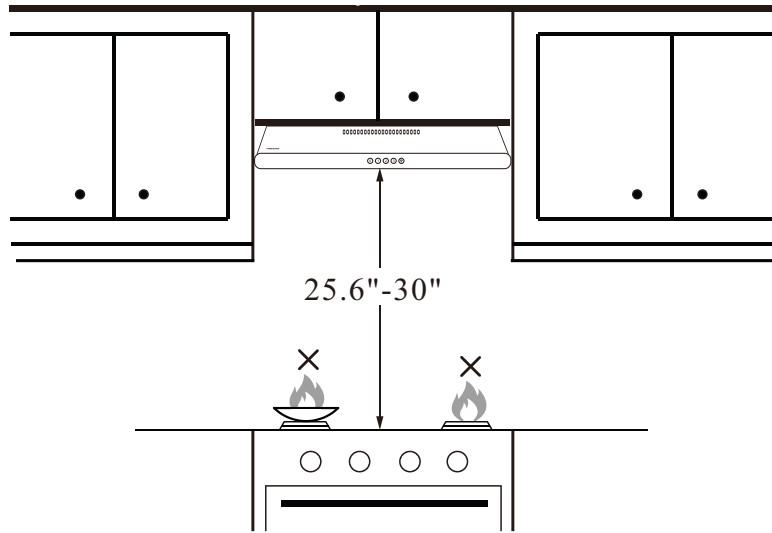


VEBTILATION OPTION

RECIRCULATION OPTION

If you have an outlet to the outside, your range hood can be connected as above picture by means of a pipe (with an interior diameter of 120mm). If you don't have an outlet to the outside, you can go with recirculation mode .

Installation Requirements

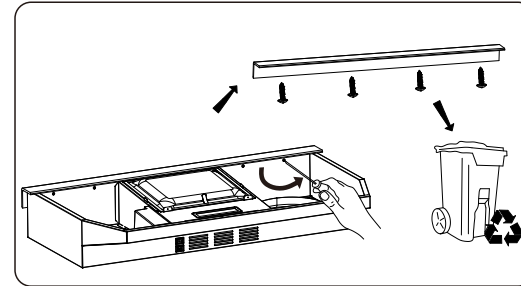


The range hood should be placed at a distance of 25.6"~30" above the cooktop for the best effect.

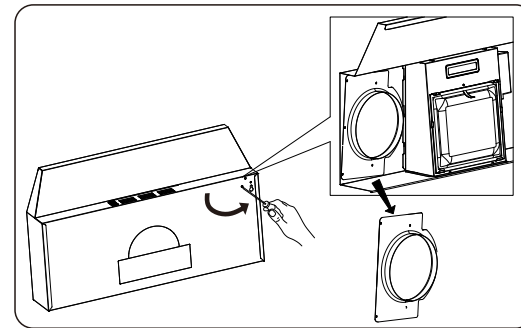
i **Note** No open flames directly approach to the range hood.

Installation

i **Note** Please connect the power supply to test and confirm that the power is on before installing this under cabinet range hood.

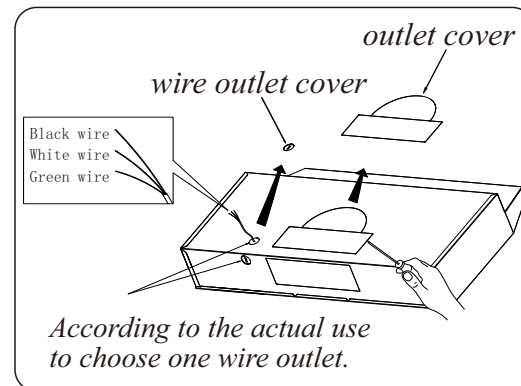


1. Disassemble the corner bead.



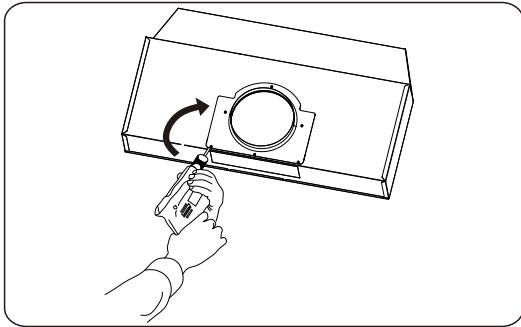
2. Disassemble the round outlet.

Ventilation:

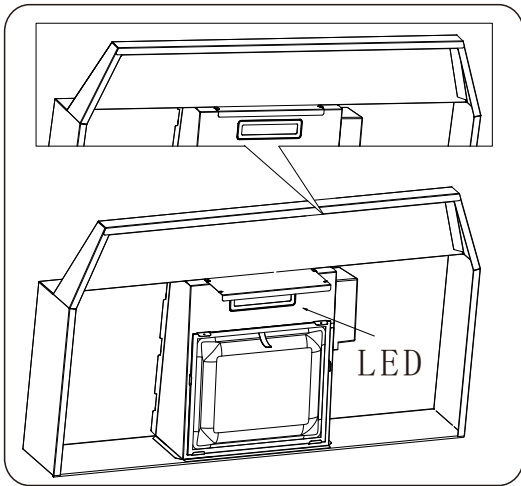


3. Use screwdriver and plier to peel off the outlet cover and wire outlet cover. Then let the cable across the hole.

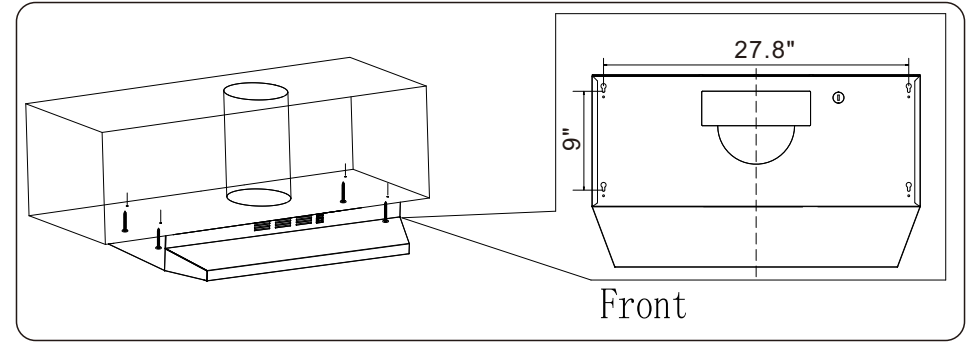
(PS: No necessary to peel the outlet off if you use recirculation mode)



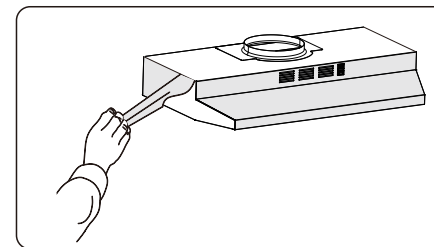
4. Install the outlet with ST4*6 screws.



5. Insert the recirculation sheet in the gap between the housing and body.

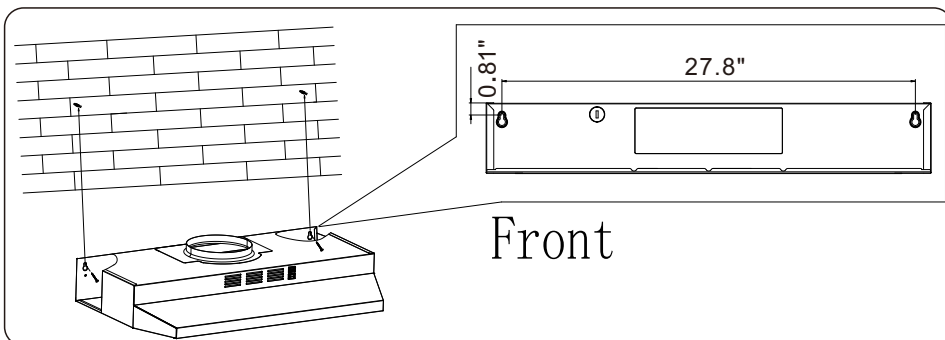


B: Drill the holes according to the graphic distance, plug the expand tube and screwed with 4pcs ST4*30 screws.



⚠ CAUTION:
BEFORE USE
Please remove the white/blue protective film on the range hood (for SS surface).


Two ways for installation (A & B) Ventilation and Recirculation available.




A: Drill the holes according to the graphic distance, plug the expand tube and screwed with 2pcs ST4*30 screws.

Operation

2 Speed Rocker

 Light button
On the left side of hood.

 Speed button
On the right side of hood.
“ = ”: high speed level.
“ — ”: Low speed level.
“ ○ ”: Off

Maintenance

Before cleaning switch the unit off and pull out the plug.

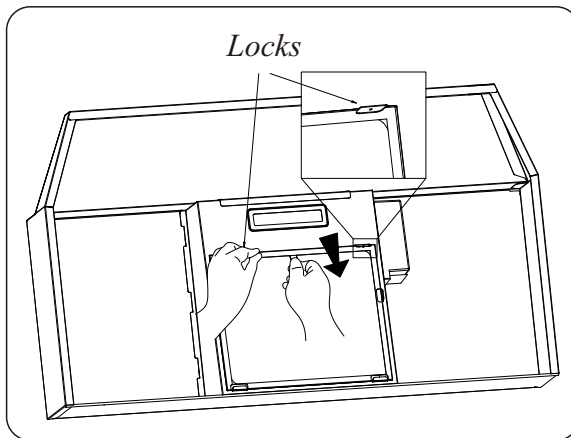
I. Regular Cleaning

Use a soft cloth moistened with hand-warm mildly soapy water or household cleaning detergent. Never use metal pads, chemical, abrasive material or stiff brush to clean the unit.

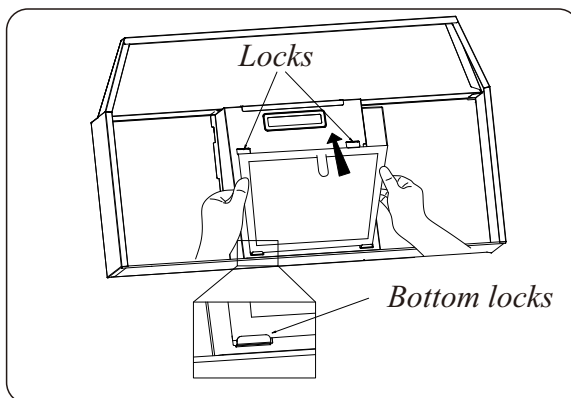
II. LED Light Replacement

Switch the unit off and unplug the appliance.

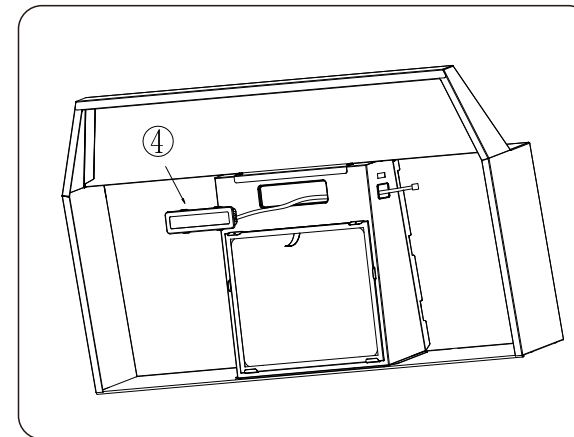
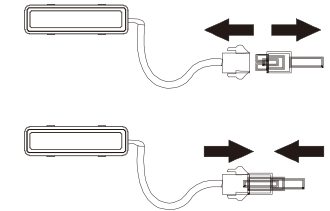
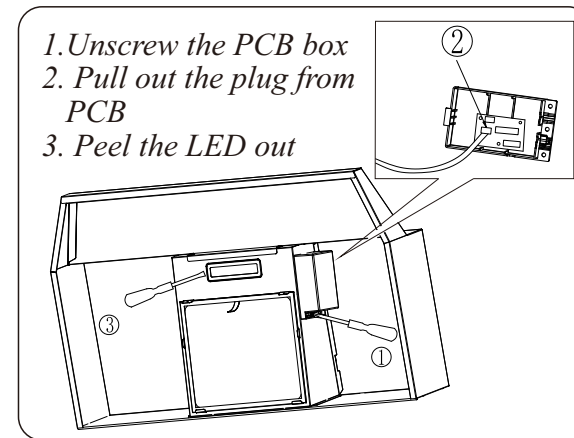
CAUTION: LAMP UNIT MAY BE HOT!
WAIT UNTIL THE UNIT IS COOL. *BEFORE* attempting to replace the LED lamps make sure the unit is powered off and **UNPLUGGED**.



Disassemble the filter:
Pull out the plastic handle and the filter from the left and right locks.



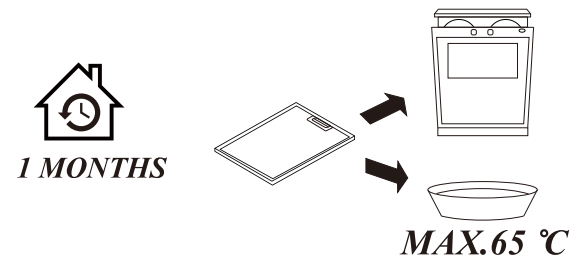
Install the filter:
Install the filter firstly into the bottom lock and then stick the filters into the upper locks.



Pull out the LED wires and replace a new one

III. Filter and charcoal filters replacement

In order to install the carbon filter, the grease filter should be detached first. Press the lock and pull it downward.



Trouble-Shooting

Fault	Cause	Solution
<i>Light on, but fan does not work</i>	<i>The fan blade is jammed.</i>	<i>Switch off the unit and repair by qualified service personnel only.</i>
	<i>The motor is damaged.</i>	
<i>Both light and fan do not work</i>	<i>Light is burnt out.</i>	<i>Replace the LED light with correct rating.</i>
	<i>Power cord is loose.</i>	<i>Plug into the power supply again.</i>
<i>Serious Vibration of the unit</i>	<i>The fan blade is damaged.</i>	<i>Switch off the unit and repair by qualified service personnel only.</i>
	<i>The fan motor is not fixed tightly.</i>	
	<i>The unit is not hung properly on the bracket.</i>	<i>Take down the unit and check whether the bracket is in proper location.</i>
<i>Suction performance not good</i>	<i>Too far distance between the unit and the cooktop.</i>	<i>Readjust the distance between 25.6"-30"</i>

Environmental Protection

Waste electrical products should not be disposed of with household waste. Please recycle where facilities exist. Check with your Local Authority or retailer for recycling advice.



FIREGAS

Statement

Thank you for purchasing this product. FIREGAS is committed to providing our customers with professional quality kitchen ventilation. This document is designed to act as a quick reference guide for common scenarios and questions when installing a FIREGAS range hood. For more instructions and details please refer to Installation Guide from www.firegaskitchen.com

Customer Service

If there is a problem with the range hood, you can contact customer service for a solution.

Email: support01@firegaskitchen.com

Website: www.firegaskitchen.com

Warranty

For full warranty details on this product please visit: www.firegaskitchen.com
Support > Warranty Registration

Product	Model
----------------	--------------

Sr. No. of Product

Cash memo no./ Date of Sale

Name & Address / Stamp of Dealer

Signature of Dealer